

FRENCHY CAMISOLE

KATIE HIMMELBERG

I chose a sensual yarn and a classic shape for my lingerie piece. For me, vintage silk slips are the epitome of femininity, glamour, and sexiness. The delicate pink hue I selected reflects the faded pink of many such slips, but a camisole is more versatile for today's lifestyles. Wear it under your favorite cardigan or show it off on its own.

NOTE

◆ This camisole is worked in the round to the front cups, which are worked back and forth.

LOWER BODY

CO 170 (190, 210) sts. Place marker (pm) and join for working in the rnd, being careful not to twist sts. Work in St st (knit every rnd) until piece measures 11 (12, 13)" from CO. **Next rnd:** BO 8 (11, 14) sts, work next 31 (31, 33) sts and place sts just worked on holder for left front, BO 8 (12, 12) sts at center front, work next 31 (31, 33) sts and place sts just worked on holder for right front, BO rem sts—2 groups of 31 (31, 33) sts each rem.

LEFT FRONT

Return 31 (31, 33) held sts for left front to needle and rejoin yarn with RS facing. Working back and forth in rows, work 10 rows even in St st (knit on RS; purl on WS), ending with a WS row.

Dec row: (RS) K1, ssk (see below), knit to last 3 sts, k2tog, k1—2 sts dec'd. Rep Dec row every other RS row 5 (5, 6) more times, then every RS row 7 times—5 sts rem. On the next RS row, k1, sl 2 sts as if to k2tog, k1, p2sso, k1—3 sts rem; front measures about 6¼ (6¾, 7¼)" high. **Straps:** Work even in St st

on rem 3 sts until strap measures 15" from last dec row. Place sts on holder.

RIGHT FRONT

Return 31 (31, 33) held sts for right front to needle and rejoin yarn with RS facing. Complete as for left front.

FINISHING

Weave in ends. Lay camisole flat to identify center of back BO edge. Temporarily pin straps in place to upper edge of back, evenly spaced on either side of center back, and mark the strap positions. For the camisole shown, straps are each 4½" away from center back, with 9" between them. Add or remove rows to the straps to achieve the best fit, then BO all strap sts. Sew BO ends of straps to back at marked positions. Press entire camisole with steam iron. **Ribbon trim:** With ribbon threaded on tapestry needle and beg at center front just below the BO rnd, weave ribbon around body as foll: *Insert needle under both legs of 1 knit st, skip next 3 sts; rep from *, taking care to foll the same rnd all the way around. Tie ends of ribbon at center front as shown. ■

PROJECT F

KATIE HIMMELBERG is assistant editor of *Interweave Knits*. She knits, crochets, sews, and makes jewelry in Northern Colorado.

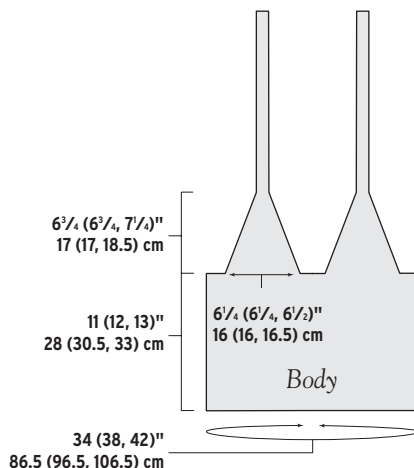
Finished Size 34 (38, 42)" bust circumference. Camisole shown measures 34".

Yarn Fiesta La Luz (100% silk; 210 yd [192 m]/56 g); #LL06 champagne, 2 (3, 3) skeins.

Needles Size 7 (4.5 mm): 29" circular (cir). Adjust needle size if necessary to obtain the correct gauge.

Notions 1½ yd (1.5 m) of ¼" (3 mm) wide satin ribbon; marker (m); stitch holders; tapestry needle.

Gauge 20 sts and 30 rnds = 4" in St st after blocking.



Ssk Decrease



Figure 1



Figure 2

Slip two stitches knitwise one at a time (Figure 1). Insert point of left needle into front of two slipped stitches and knit them together through back loops with right needle (Figure 2).



RISK-FREE TRIAL OFFER

Discover knitwear designs that will capture your imagination.

You don't have to be a designer or a knitting pro to make beautiful knitted garments and accessories, and you don't have to hunt all over for inspiring designs.

From cover to cover, *Interweave Knits* magazine gives you great projects, from the beginner to the advanced. Every issue is packed full of captivating smart designs, step-by-step instructions, easy-to-understand illustrations, plus well-written, lively articles sure to inspire.

Take advantage of this special risk-free offer today!

www.interweave.com/go/knitsJPDP6